

## THE MASTER LIST

This file contains the full selection of spirits and wine available at Mercury. The list is long but variety is the spice of life. If you would like any more info or recommendations, please don't hesitate to ask. We hope you have as much fun drinking through the list as we did curating it. *We would love to build a flight of spirits or wine for you at any time.*

LEFT /// SPIRITS

RIGHT /// WINE —————>

TRACK PROGRESS: @MERCURYOMAHA | #MERCURYOMAHA

## ONE + DONE

### ONE + DONE

Our favorite section; below are spirits that are so rare or hard to find we only have one bottle. In many cases, Mercury has the only bottle available in the state. When it's gone, it's gone for good.

Listed here are some of our more exciting selections. Further spirits listed in *italics* are also one + done.

THE BALVENIE 40 YEAR SPEYSIDE SINGLE MALT . . . . .	350
EXCLUSIVE MALTS HIGHLAND PARK 25 YEAR SINGLE MALT . . . . .	62
LONGROW 13 YEAR MALBEC CASK . . . . .	26
THE KURAYOSHI 8 YEAR JAPANESE WHISKY . . . . .	18
OLD WELLER ANTIQUE 107 BOURBON . . . . .	15
WILLIAM HEAVENHILL 5TH EDITION 14 YEAR SINGLE BARREL BOURBON . . . . .	62
PARKER'S HERITAGE 2017 11TH EDITION 2017 BOURBON . . . . .	22
JEFFERSON'S PRITCHARD HILL CABERNET CASK BOURBON . . . . .	17
FEW BOURBON . . . . .	12
WIDOW JANE 10 YEAR BOURBON . . . . .	16
ROWAN'S CREEK 12 YEAR BOURBON . . . . .	13
KENTUCKY VINTAGE . . . . .	9
ENTRAPMENT 25 YEAR CANADIAN WHISKEY . . . . .	22
DAD'S HAT PENNSYLVANIA RYE WHISKEY VERMOUTH CASK FINISH . . . . .	12
FILIBUSTER DUAL CASK GIN . . . . .	11
MAYALEN WILD CUPREATA MEZCAL . . . . .	12
MONTELOBOS SINGLE VILLAGE MEZCAL . . . . .	11
PEACH STREET AMARO . . . . .	9
BONOLLO AMARO CON GRAPPA OF AMARONE BARRIQUE . . . . .	10
ANCHO REYES VERDE CHILI POBLANO LIQUEUR . . . . .	8

# SINGLE MALT WHISKEY

## SPEYSIDE

ABELOUR 12 YEAR . . . . .	12
ABELOUR 18 YEAR . . . . .	20
THE BALVENIE 12 YEAR DOUBLEWOOD . . . . .	10
THE BALVENIE 12 YEAR SINGLE BARREL . . . . .	14
THE BALVENIE 14 YEAR CARIBBEAN CASK . . . . .	13
THE BALVENIE 15 YEAR SINGLE BARREL . . . . .	18
THE BALVENIE 17 YEAR DOUBLEWOOD . . . . .	28
THE BALVENIE 21 YEAR PORTWOOD . . . . .	37
<i>THE BALVENIE 40 YEAR . . . . .</i>	<i>350</i>
<i>CHEIFTAIN'S GLEN GRANT 19 YEAR . . . . .</i>	<i>20</i>
<i>CHEIFTAIN'S GLENROTHES 19 YEAR . . . . .</i>	<i>26</i>
<i>CHEIFTAIN'S LINKWOOD 24 YEAR . . . . .</i>	<i>28</i>
GLENFARCLAS 12 YEAR . . . . .	12
GLENFARCLAS 17 YEAR . . . . .	19
GLENFARCLAS 25 YEAR . . . . .	36
<i>GLENFARCLAS 40 YEAR . . . . .</i>	<i>142</i>
GLENFARCLAS 105 CASK STRENGTH . . . . .	15
GLENFIDDICH 12 YEAR . . . . .	10
GLENFIDDICH 14 YEAR . . . . .	13
GLENFIDDICH 18 YEAR . . . . .	18
GLENLIVET 15 YEAR . . . . .	11
MACALLAN 12 YEAR . . . . .	12
MACALLAN 17 YEAR FINE OAK . . . . .	45
MACALLAN RARE CASK . . . . .	20

## HIGHLAND

<i>CHEIFTAIN'S GLENTURRET 25 YEAR . . . . .</i>	<i>35</i>
<i>EXCLUSIVE MALTS HIGHLAND PARK 25 YEAR . . . . .</i>	<i>62</i>
GLENMORANGIE SIGNET . . . . .	31
OBAN, 14 YEAR . . . . .	14
TOMATIN, 15 YEAR . . . . .	10
TULLIBARDINE, SAUTERNES FINISH . . . . .	12

## ISLAY

ARBEG 10 YEAR . . . . .	10
BRUICHLADDICH OCTOMORE . . . . .	30
BRUICHLADDICH SCOTTISH BARLEY . . . . .	12
CAOL ILA 12 YEAR . . . . .	12
<i>CHEIFTAIN'S BOWMORE 13 YEAR . . . . .</i>	<i>20</i>
LAGAVULIN 16 YEAR . . . . .	14
LAPHROIAG 10 YEAR . . . . .	10

## THE ISLANDS

THE ARRAN MALT AMARONE FINISH . . . . .	14
THE ARRAN MALT PORT FINISH . . . . .	14
THE ARRAN MALT SAUTERNES FINISH . . . . .	14
THE ARRAN MALT MACHRIE MOOR PEATED . . . . .	14
LEDAIG 10 YEAR . . . . .	13
TALISKER 10 YEAR . . . . .	10
TALISKER 18 YEAR . . . . .	28
TALISKER DISTILLER'S EDITION . . . . .	17

## CAMPBELTOWN

HAZELBURN 10 YEAR . . . . .	13
LONGROW PEATED MALT . . . . .	12
<i>LONGROW 13 YEAR MALBEC CASK . . . . .</i>	<i>26</i>
SPRINGBANK 10 YEAR . . . . .	12

## LOWLAND

AUCHENTOSHAN THREE WOOD . . . . .	13
AUCHENTOSHAN AMERICAN OAK . . . . .	8

## BOURBON

ANGEL'S ENVY . . . . .	10
BAKER'S . . . . .	11
BASIL HAYDEN . . . . .	10
BLANTON'S . . . . .	11
BOOKER'S . . . . .	12
BRECKENRIDGE . . . . .	10
BUFFALO TRACE . . . . .	7
BULLEIT BOURBON . . . . .	7
BULLEIT 10 YEAR . . . . .	10
DAVID NICHOLSON RESERVE . . . . .	8
DRY FLY 101 PROOF WASHINGTON BOURBON . . . . .	11
E.H. TAYLOR SINGLE BARREL . . . . .	12
E.H. TAYLOR SMALL BATCH . . . . .	10
EAGLE RARE . . . . .	7
ELIJAH CRAIG MERCURY PRIVATE BARREL II . . . . .	7
ELIJAH CRAIG 18 YEAR . . . . .	20
ELMER T. LEE . . . . .	8
EVAN WILLIAMS SINGLE BARREL . . . . .	7
FEW BOURBON . . . . .	12
FOUR ROSES . . . . .	5
FOUR ROSES SINGLE BARREL . . . . .	9
FOUR ROSES SMALL BATCH . . . . .	7
HENRY MCKENNA BONDED SINGLE BARREL . . . . .	8
I.W. HARPER . . . . .	9
JEFFERSON'S . . . . .	8
JEFFERSON'S OCEAN CASK STRENGTH. . . . .	21
JEFFERSON'S PRITCHARD HILL CABERNET CASK . . . . .	17
JEFFERSON'S RESERVE . . . . .	10
JOHNNY DRUM 101 PROOF . . . . .	14
KENTUCKY VINTAGE . . . . .	9
NOB CREEK 120 PROOF PRIVATE BARREL . . . . .	10
KOVAL OMAHA CRAFT BARTENDERS GUILD . . . . .	8
MEDLEY BROS . . . . .	5
MEDLEY'S PRIVATE STOCK, 10 YEAR . . . . .	13

## BOURBON (CON'T)

MICHTER'S . . . . .	10
OLD FORESTER . . . . .	6
OLD FORESTER 1870 SMALL BATCH . . . . .	10
OLD GRAND DAD 100 PROOF . . . . .	5
OLD GRAND DAD 114 PROOF . . . . .	9
OLD MEDLEY 12 YEAR . . . . .	12
PARKER'S HERITAGE 2017 11TH EDITION . . . . .	22
ROWAN'S CREEK 12 YEAR . . . . .	13
SMOOTH AMBLER CONTRADICTION 100 PROOF . . . . .	10
STAGG JR . . . . .	12
W.L. WELLER 90 PROOF . . . . .	7
W.L. WELLER 107 PROOF . . . . .	15
WATHEN'S SINGLE BARREL . . . . .	10
WIDOW JANE 10 YEAR . . . . .	16
WILD TURKEY RARE BREED . . . . .	9
WILD TURKEY 101 PROOF BOURBON . . . . .	7
WILLET ESTATE RESERVE . . . . .	12
WILLIAM HEAVENHILL 5TH EDITION . . . . .	62
WOODFORD RESERVE . . . . .	10
YELLOWSTONE 93 PROOF . . . . .	12
YELLOWSTONE 7 YEAR 101 PROOF . . . . .	18

## OTHER WHISKIES

BERNHEIM WHEAT WHISKEY . . . . .	6
BRICKWAY WHITE WHISKEY . . . . .	6
CROWN ROYAL . . . . .	8
DRY FLY WHEAT WHISKEY . . . . .	9
ENTRAPMENT 25 YEAR CANADIAN WHISKEY . . . . .	22
GEORGE DICKEL #12 TENNESSEE WHISKY . . . . .	6
HIGH WEST WHITE RYE . . . . .	8
JACK DANIELS TENNESSEE WHISKY . . . . .	7
LOW GAP WHEAT WHISKEY 2 YEAR . . . . .	11
STRANAHAN'S COLORADO WHISKEY . . . . .	11

## JAPANESE WHISKY

HIBIKI JAPANESE HARMONY . . . . .	12
THE HAKUSHU SINGLE MALT 12 YEAR . . . . .	25
THE KURAYOSHI 8 YEAR . . . . .	18
NIKKA COFFEY GRAIN WHISKEY . . . . .	15
NIKKA TAKETSURU PURE MALT . . . . .	11
NIKKA MIYAGIKYO SINGLE MALT . . . . .	12
SUNTORY TOKI . . . . .	8
THE YAMAZAKI 12 YEAR SINGLE MALT . . . . .	25

## IRISH WHISKEY

CONNEMARA PEATED SINGLE MALT . . . . .	10
GREEN SPOT . . . . .	11
YELLOW SPOT 12 YEAR SINGLE MALT . . . . .	21
POWER'S SINGLE POT STILL . . . . .	10

## BLENDED SCOTCH

CUTTY SARK PROHIBITION CASK . . . . .	7
MONKEY SHOULDER . . . . .	8
THE EXCEPTIONAL BLEND . . . . .	20

### WHAT IS THE CLINEBELL?

Our Clinebell machine produces 300 pound blocks of ice we use for our cocktails served on the rocks.

By only freezing from the bottom, and using a pump to circulate the water as it freezes, all of the air and impurities in the water are left out of the ice. This results in a 10"x 20" x 40" block you can read through.

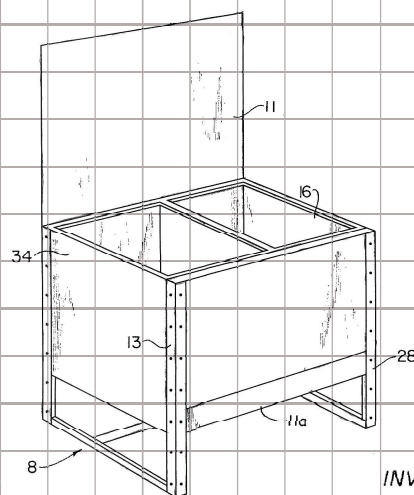
This ice is peerless, and this is the only Clinebell between Denver + Minneapolis.

## RYE

BASIL HAYDEN DARK RYE . . . . .	9
DAD'S HAT VERMOUTH CASK FINISH . . . . .	12
E.H. TAYLOR SMALL BATCH RYE . . . . .	13
EZRA BROOKS RYE . . . . .	5
HIGH WEST RENDEZVOUS RYE . . . . .	10
KNOB CREEK RYE . . . . .	8
KOVAL RYE . . . . .	8
MICHTER'S STRAIGHT RYE . . . . .	10
MINOR CASE STRAIGHT RYE . . . . .	11
OLD POTRERO 18TH CENTURY RYE . . . . .	11
PIKESVILLE 6 YEAR . . . . .	10
RITTENHOUSE 100 PROOF . . . . .	7
SAZERAC . . . . .	7
TEMPLETON . . . . .	8
WILD TURKEY RYE 101 PROOF . . . . .	6

## AMERICAN SINGLE MALT

MCCARTHY'S OREGON SINGLE MALT . . . . .	8
VIKRE IRON RANGE SINGLE MALT . . . . .	17



**PATENTED**  
AUG 15 1972

INVENTOR  
VIRGIL L. CLINEBELL

## EAU DE VIE

### ARMAGNAC

CHÂTEAU DU TARIQUET 8 YEAR . . . . . 12

### COGNAC

CHATEAU MONTIFAUD VSOP . . . . . 13

HINE VSOP . . . . . 9

PIERRE FERRAND AMBRE . . . . . 12

PIERRE FERRAND RESERVE . . . . . 15

### AMERICAN BRANDY

GERMAIN ROBIN XO . . . . . 18

GERMAIN ROBIN CRAFT METHOD . . . . . 11

*GERMAIN ROBIN SINGLE BARREL RIESLING* . . . . . 14

*MILLARD FILLMORE CALIFORNIA BRANDY* . . . . . 9

### OTHER BRANDIES

ASBACH URALT 3 YEAR GERMAN BRANDY . . . . . 7

### FRUIT EAU DE VIE

CHRISTIAN DROUIN COEUR DE LION CALVADOS . . . . . 10

DARON CALVADOS . . . . . 9

GERMAIN ROBIN APPLE BRANDY . . . . . 11

LAIRD'S APPLEJACK . . . . . 6

LAIRD'S APPLE BRANDY 7 1/2 YEAR . . . . . 8

BLUME MARILLEN APRICOT EAU DE VIE . . . . . 8

CLEAR CREEK KIRSCHWASSER . . . . . 10

CLEAR CREEK PEAR EAU DE VIE . . . . . 10

CLEAR CREEK SLIVOVITZ . . . . . 10

JELINEK SLIVOVITZ 10 YEAR . . . . . 7

PISCO CONTROL . . . . . 7

### GRAPPA

BERTAGNOLLI GRAPPINO BIANCO . . . . . 6

JACOBO POLI ARZENTE GRAPPA . . . . . 19

JACOBO POLI SARPA BARRIQUE GRAPPA . . . . . 13

MOLETTO GRAPPA ARNEIS . . . . . 8

MOLETTO GRAPPA BARBERA . . . . . 8

MOLETTO GRAPPA D'NEBBIOLO . . . . . 8

MOLETTO GRAPPA MOSCATO . . . . . 8

### ABSINTHE

CORSAIR RED ABSINTHE . . . . . 12

GERMAIN ROBIN . . . . . 18

LEATHERBEE . . . . . 13

VIEUX PONTARLIER . . . . . 12

### SUGAR CANE

CLEMENT WHITE RHUM AGRICOLE . . . . . 6

CLEMENT BARREL SELECT AGRICOLE . . . . . 8

CLEMENT V.S.O.P. . . . . 9

*CLEMENT X.O.* . . . . . 12

*CLEMENT CUVÉE HOMÈRE* . . . . . 14

MAE DE ORO CACHACA . . . . . 6

VAN OOSTEN BATAVIA ARRACK . . . . . 6

# RUM

## DOMINICAN REPUBLIC

BRUGAL 1888 . . . . . 10

## GUATEMALA

ZACAPA CENTENARIO . . . . . 8

## GUYANA

EL DORADO 8 YEAR . . . . . 7

EL DORADO 12 YEAR . . . . . 8

EL DORADO 15 YEAR . . . . . 11

EL DORADO 21 YEAR . . . . . 18

LEMONHART 151 PROOF . . . . . 6

## HAITI

RHUM BARBAN COURT 8 YEAR . . . . . 6

## JAMAICA

J. WRAY WHITE . . . . . 5

APPLETON ESTATE RESERVE . . . . . 6

MEYERS'S DARK . . . . . 6

SMITH + CROSS NAVY STRENGTH . . . . . 6

## NICARAGUA

FLOR DE CAÑA WHITE . . . . . 5

FLOR DE CAÑA 12 YEAR . . . . . 12

## PANAMA

DON PANCHO 8 YEAR . . . . . 8

## PUERTO RICO

DON Q CRISTAL . . . . . 5

RON DE BARRALITO 2 STAR . . . . . 6

RON DE BARRALITO 3 STAR . . . . . 8

## TRINIDAD + TOBAGO

ANGOSTURA 7 YEAR . . . . . 7

ANGOSTURA 1919 8 YEAR . . . . . 9

ANGOSTURA 1824 12 YEAR . . . . . 12

CARONI 17 YEAR SINGLE BARREL . . . . . 18

THE SCARLET IBIS . . . . . 6

## VENEZUELA

DIPLOMATICO SINGLE VINTAGE 2002 . . . . . 19

## VARIOUS

ENGLISH HARBOR ANTIGUA . . . . . 6

LOST SPIRITS NAVY STYLE RUM . . . . . 12

PUSSER'S . . . . . 6

PUSSER'S NELSON'S BLOOD 15 YEAR . . . . . 9

PLANTATION 3 STAR WHITE . . . . . 5

PLANTATION 5 YEAR . . . . . 7

PLANTATION STIGGIN'S FANCY PINEAPPLE . . . . . 8

PLANTATION O.F.T.D. DARK 138 PROOF . . . . . 7

PLANTATION 146 PROOF . . . . . 6

## AGAVE

### TEQUILA

PUEBLO VIEJO BLANCO . . . . .	5
MAESTRO DOBEL BLANCO . . . . .	11
GRAN CENTENARIO REPOSADO . . . . .	10
PARTIDA REPOSADO . . . . .	11
CORZO ANEJO . . . . .	13
CASA NOBLES ANEJO . . . . .	12

### MEZCAL

ALIPUS SAN ANDRES . . . . .	9
ALIPUS SAN JUAN . . . . .	9
ALIPUS SAN LUIS . . . . .	9
ALIPUS SANTA ANA . . . . .	9
<i>ALIPUS ENSAMBLE</i> . . . . .	15
DEL MAGUEY CHICHICAPA . . . . .	12
DEL MAGUEY MINERO . . . . .	12
DEL MAGUEY PECHUGA . . . . .	25
DEL MAGUEY VIDA . . . . .	8
LOS NAHUALES REPOSADO . . . . .	11
<i>MEZCALERO #17</i> . . . . .	16
<i>MONTELOBOS</i> . . . . .	11
MAYALEN GUERRERO . . . . .	12
MAYALEN BORREGO. . . . .	12
<i>MAYALEN WILD CUPREATA.</i> . . . .	12

## VODKA

KARLSSON'S GOLD . . . . .	7
TITO'S . . . . .	6
ŻUBRÓWKA BISON GRASS VODKA . . . . .	6

## GIN

ANCHOR JUNIPERO . . . . .	7
AVIATION . . . . .	7
BEEFEATER . . . . .	6
BIG GIN BARREL AGED . . . . .	8
BLUECOAT . . . . .	7
BOLS GENEVER . . . . .	8
BOMBAY SAPPHIRE . . . . .	7
BULLDOG GIN . . . . .	7
DEATH'S DOOR . . . . .	8
HAYMAN'S LONDON DRY . . . . .	6
HAYMAN'S NAVY STRENGTH . . . . .	6
HAYMAN'S OLD TOM . . . . .	6
HEARTLAND DISTILLERS GIN . . . . .	7
HENDRICK'S . . . . .	8
KOVAL DRY . . . . .	6
<i>LEATHERBEE 2017 LIMITED AUTUMNAL GIN</i> . . . . .	7
<i>LEATHERBEE 2017 LIMITED VERNAL GIN</i> . . . . .	7
MARTIN MILLER . . . . .	10
MONKEY 47 . . . . .	15
OPIHR . . . . .	8
PLYMOUTH NAVY STRENGTH . . . . .	7
RANSOM OLD TOM . . . . .	9
RUSSELL HENRY LONDON DRY . . . . .	8
TANQUERAY . . . . .	7
THE BONTANIST . . . . .	8
VIKRE AQUAVIT . . . . .	8
<i>VIKRE VOYAGER BARREL AGED AQUAVIT</i> . . . . .	12
VIKRE CEDAR . . . . .	8
VIKRE JUNIPER . . . . .	8
VIKRE SPRUCE . . . . .	8
<i>VITTI ICELANDIC AQUAVITE</i> . . . . .	15

## AMARO / BITTER

ANGOSTURA . . . . .	7
APEROL . . . . .	6
BITTER TRUTH E.X.R . . . . .	8
BRAULIO . . . . .	8
BRECKENRIDGE BITTER . . . . .	8
<i>BONOLLO CON GRAPPA OF AMARONE BARRIQUE</i> .	10
CAMPARI . . . . .	6
CAPPELLETTI VINO APERTIVO . . . . .	7
CAPPELLETTI RABABARO . . . . .	5
CARDAMARO . . . . .	6
CONTRATTO APERTIF . . . . .	7
CONTRATTO BITTER . . . . .	7
CYNAR 70 PROOF . . . . .	6
DON CICCIO CARCIOFO. . . . .	7
DON CICCIO CINQUE APERTIVO . . . . .	7
DON CICCIO LUNA AMARA . . . . .	7
FERNET BRANCA . . . . .	6
FORO . . . . .	6
GRAN CLASSICO . . . . .	7
LEATHERBEE BESK . . . . .	6
LEATHERBEE FERNET. . . . .	7
LEOPOLD BROS FERNET . . . . .	9
LUCANO . . . . .	6
NASTRO D'ORO . . . . .	8
NONINO . . . . .	8
<i>PEACH STREET</i> . . . . .	9
RAMAZOTTI . . . . .	6
SALER'S . . . . .	6
SIBONA . . . . .	6
VARNELLI DELL'ERBORISTA . . . . .	9
VARNELLI PUNSCH FANTASIA . . . . .	5
VARNELLI SIBILLA . . . . .	9
ZWACK . . . . .	6

## LIQUEUR

ANCHO REYES . . . . .	8
<i>ANCHO REYES VERDE</i> . . . . .	8
BAUCHANT ORANGE LIQUEUR . . . . .	7
BENEDICTINE . . . . .	7
BITTER TRUTH CREME DE VIOLETTE . . . . .	7
CHAREAU ALOE VERA LIQUEUR . . . . .	11
CHARTREUSE, GREEN . . . . .	8
CHARTREUSE, YELLOW . . . . .	8
CHARTREUSE, V.E.P. GREEN . . . . .	20
CHARTREUSE, V.E.P. YELLOW . . . . .	20
COMBIER KUMMEL . . . . .	9
DOLIN GENEPEY . . . . .	6
DON CICCIO CONCERTO ESPRESSO. . . . .	7
DON CICCIO FINOCCHIETTO FENNEL. . . . .	7
DON CICCIO MANDARINETTO. . . . .	7
DIMMI LIQUORE DI MILANO . . . . .	9
<i>FIRELIT COFFEE LIQUEUR</i> . . . . .	7
GIFFARD BANANE DU BRESIL . . . . .	9
GUILLAUMETTE GENEPI . . . . .	13
LAZZARONI SAMBUCA . . . . .	5
LAZZARONI TRIPLO . . . . .	5
LUXARDO MARASCHINO . . . . .	7
NUX ALPINA WALNUT LIQUEUR . . . . .	8
PIMM'S . . . . .	7
PISA NUT LIQUEUR . . . . .	6
PLYMOUTH SLOE GIN . . . . .	8
ROTHMAN & WINTER APRICOT LIQUEUR . . . . .	6
ROTHMAN & WINTER PEAR LIQUEUR . . . . .	6
ST. ELIZABETH ALLSPICE DRAM . . . . .	6
STREGA . . . . .	7
SUZE . . . . .	5
ULLR PEPPERMINT CINNAMON SCHNAPPS . . . . .	7
VINCENZI AMARETTO DI TORINO . . . . .	5