

DRINKS + FOOD UNTIL 2 A.M.

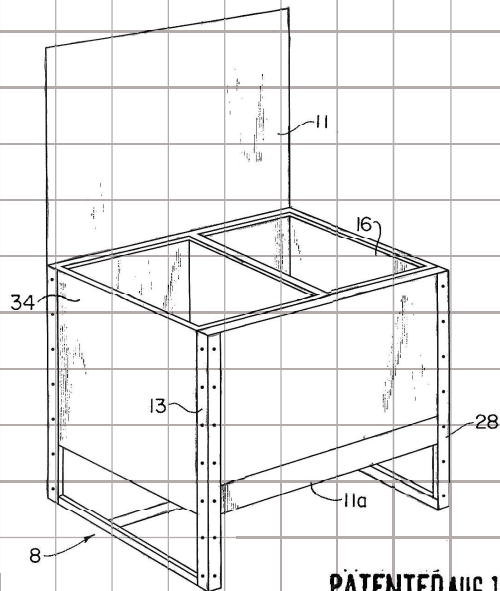
Mercury is a mid-century cocktail lounge with a rotating menu of artisanal cocktails, an extensive selection of wine, and nudge + wink versions of mid-century cocktail party food. We sometimes play 80's yacht rock.

Happy hour: 4pm - 6pm every day; all day Mondays

TRACK PROGRESS: @MERCURYOMAHA | #MERCURYOMAHA

CLINEBELL ICE MACHINE

The Clinebell machine uses single direction freezing to produce flawless 300 lb blocks of ice. We then take that block, a chainsaw, a hacksaw, and a chisel to carve a large ice cube that comes in any of our drinks on the rocks. Mercury has the only Clinebell between Denver + Minneapolis.



PATENTED
AUG 15 1972

PATENTED AUG 15 1972

BEER (ALL TALLBOYS)

ZYWEIC EURO LAGER	5
BUD LIGHT	4
STRONGBOW CIDER	5
GOOSE ISLAND 312 URBAN WHEAT ALE.	7
BELL'S TWO HEARTED IPA	6
AVERY CHAI HIGH SPICED ALE	6
SHINER BOCK	5
SURLY COFFEE BENDER BROWN ALE	6
<hr/>	
MAJOR TOM	6
- zyweic tallboy + a chilled manhattan shot	

See the full report for our complete selection of spirits + wines

SOMMELIER: SARA MELLOR

Sara Mellor

MISCELLANEOUS

CAN OF SODA POP	2
- coke, diet, sprite, fresca, ginger ale, soda water	
24oz FRENCH PRESS	5
20oz TEA POT	5
- black, mint, gunpowder green, or chamomile	

11.02.17

MERCURY

FOOD

CHARCUTERIE + CHEESE	15
- 3 meats + 3 cheeses, local baguette, whiskey mustard - cheese only option available	
BEER CHEESE FONDUE	9
- served hot with local baguette	
BIG SALAD	9
- candied walnuts, pear vinaigrette, pomegranate - add chicken \$4 add steak \$7	
VEGAN PUMPKIN SOUP	8
- sage oil, toasted pumpkin seeds, piment d'espelette	
MUSHROOMS THERMIDOR	9
- stuffed with tallegio cheese; whiskey cream sauce	
BAKED EMPANADAS	10
- eggplant parmesan OR carnitas + salsa verde	
SWEDISH MEATBALLS	12
- pork + duck meatballs, mushroom gravy, cherry jam	
FLATBREADS	10
- crab rangoon OR loaded baked potato (available vegan)	
CRABS CASINO	16
- silver dollar crab cakes, parmesan aioli + prosciutto	
STEAK + POTATOES	18
- piedmontese beef, roasted potatoes; chimichurri	

TIRAMISU	7
- lady fingers, rum, coffee, cynar	

WARNING!

EATING RAW OR UNDERCOOKED EGGS OR MEAT WILL KILL YOU
GRATUITY WILL BE ADDED TO PARTIES OF SIX OR MORE

COCKTAILS

THE SEASONALS

- THE ELVIS** **9**
- peanut butter bourbon, house banana liqueur, smoke
- *a tribute the king's sandwich of choice*
- RUBY SOHO** **11**
- mezcal, chile liqueur, fresh lime, cactus candy
- *smoky + sweet whisks you to a destination unknown*
- BLUE MONDAY** **9**
- cucumber tequila, violet liqueur, fresh lime
- *so refreshing, it'll definitely be your new order*
- RED-LETTER DAY** **9**
- red wine, ginger syrup, campari, dry vermouth
- *a little spicy + a little fruity, perfect for fall*
- OOPS! ALL CHERRIES** **11**
- cherry brandy, cherry syrup, maraschino, bubbles
- *tastes so good make a grown man cry*
- ASH WILLIAMS** **11**
- bourbon, pear + allspice liqueur, fresh lime
- *whiskey, spice, and everything nice...groovy*
- COMPANY DIME** **10**
- rye whiskey, orange liqueur, pineapple rum, bitters
- *don draper on a hawaiian holiday*
- THE BRIGADOON.** **12**
- overproof scotch, walnut liqueur, amaro
- *luscious + smooth; the stuff of legends*

ENTERING UNKNOWN TERRITORY

Feeling adventurous? Just ask your server to suggest a drink that isn't on the menu. We will do the rest.

COCKTAILS

THE STANDARDS

- MERCURY OLD FASHIONED** **12**
- private label Knob Creek 12-year 120 proof bourbon, raw sugar, bitters
- SHARK ATTACK!!** **11**
- rum, coconut cream, fresh pineapple, lime, cherry
- *tropical + tasty; slightly safer than a real shark*
- RICH \$EX** **12**
- overproof bourbon, cynar, apricot
- *mysterious, extravagant, sultry*
- GRANDDADDY LOW** **9**
- bourbon, fresh lemon, amaretto, amaro
- *not too sweet, not too sour? 10-4 good buddy*
- SADIE HAWKIN'S** **10**
- gin, apple, fresh lime, pomegranate, bubbles
- *like a french 75 dressed up for the prom*
- THE NEW ROMANCE** **10**
- vodka, real passion fruit, fresh lemon, genepy
- *tropical fruit, savory herbs, burning loins*
- DEPRESCA** **6**
- a whole bottle of bourbon, bitters, fresca
- CHILLED MANHATTAN SHOT** **3**
- mini manhattan from our proprietary shotmeister
- *add zyweic tallboy for \$3*

RECOMMENDATIONS:

BARTENDER: PHIL ATHY

Red-Letter Day

Piña Colada w/ Lost Spirits Rum

Boulevardier (*launch an inquiry*)

WINE

SPARKLING

- CHENIN BLANC** **9**
- montfort, methode traditionnelle, fr, nv
- *baby champagne; ballin' on a budget*
- ROSÉ** **8**
- poema, cava, es NV
- *strawberry + sparkles, you can't go wrong*
- TORRONTÉS (SWEET).** **8**
- familia meschini, mendoza, argentina 2014
- *peachy, beachy, beautiful*

WHITE

- ALBARIÑO.** **8**
- viñabade, rias baixas, sp 2016
- *luscious with hints of peach*
- SAUVIGNON BLANC** **8**
- peter yealands, marlborough, nz 2015
- *miniature lambs cut the grass between vines!*
- CHARDONNAY** **9**
- bread + butter, napa, ca 2015
- *something toasty from the coasty*

RED

- TEMPRANILLO** **8**
- sierra cantabria, seleccion, rioja, sp 2014
- *rich + spicy, penélope cruz in wine form*
- VALPOLICELLA.** **8**
- ca' la bionda, veneto, it 2016
- *fresh red fruit + violets make a fabulous duo*
- PINOT NOIR** **10**
- thevenet + fils, les clos, burgundy fr 2014
- *wild but elegant*
- CÔTES-DU-RHÔNE** **12**
- j.l. chave, mon coeur, rhône valley, fr 2015
- *a lightly spicy red from organic vineyards*
- CABERNET SAUVIGNON** **11**
- fitch mountain, sonoma, ca 2014
- *berry delicious with velvety tannins*