

## THE MASTER LIST

This file contains Mercury's full selection of spirits and wine. The list is long but variety is the spice of life. If you would like any information or recommendations, please don't hesitate to ask. We hope you have as much fun drinking through the list as we did curating it.

THIS SIDE /// SPIRITS

WINE /// THAT SIDE —————>

TRACK PROGRESS: @MERCURYOMAHA | #MERCURYOMAHA

## ONE AND DONE

### ONE AND DONE BOTTLES

Our favorite section; below are spirits that are so rare or hard to find we only have one bottle. In many cases, Mercury has the only bottle available in the state. When it's gone, it's gone for good.

THE BALVENIE 40 YEAR SPEYSIDE SINGLE MALT . . . . .	350
EXCLUSIVE MALTS HIGHLAND PARK 25 YEAR SINGLE MALT . . . . .	62
WILLIAM HEAVENHILL 5TH EDITION 14 YEAR 115 PROOF SINGLE BARREL BOURBON . . . . .	82
JEFFERSON'S PRICHARD HILL CABERNET CASK BOURBON . . . . .	17
OLD FORESTER BIRTHDAY BOURBON 2017 . . . . .	19
WHISTLEPIG 10 YEAR RYE WHISKEY . . . . .	20
THE EXCEPTIONAL BLEND SCOTCH . . . . .	25
VIKRE IRON RANGE SINGLE MALT US WHISKEY . . . . .	20
IWAI JAPANESE WHISKY . . . . .	9
WHISTLEPIG 10 YEAR RYE . . . . .	20
RUSSELL HENRY BARREL AGED GIN . . . . .	20
VIKRE VOYAGER BARREL AGED AQUAVIT . . . . .	15
ALIPUS ENSAMBLE SINGLE VILLAGE MEZCAL . . . . .	20
GERMAIN ROBIN SINGLE BARREL 16 YEAR RIESLING BRANDY . . . . .	20
MILLARD FILLMORE CALIFORNIA BRANDY . . . . .	9
ST. GEORGE ABSINTHE . . . . .	9
PUSSERS NELSON'S BLOOD 15 YEAR RUM . . . . .	8
LOST SPIRITS NAVY STYLE RUM 122 PROOF . . . . .	12
MELETTI AMARO . . . . .	12
ST. GEORGE AQUA PERFECTA BASIL EAU DE VIE . . . . .	12

# SINGLE MALT WHISKEY

## SPEYSIDE

ABELOUR 12 YEAR . . . . .	12
ABELOUR 18 YEAR . . . . .	20
THE BALVENIE 12 YEAR DOUBLEWOOD . . . . .	10
THE BALVENIE 12 YEAR SINGLE BARREL . . . . .	14
THE BALVENIE 14 YEAR CARIBBEAN CASK . . . . .	13
THE BALVENIE 15 YEAR SINGLE BARREL . . . . .	18
THE BALVENIE 17 YEAR DOUBLEWOOD . . . . .	28
THE BALVENIE 21 YEAR PORTWOOD . . . . .	37
THE BALVENIE 40 YEAR . . . . .	350
CHEIFTAIN'S GLEN GRANT 19 YEAR . . . . .	20
CHEIFTAIN'S GLENROTHES 19 YEAR . . . . .	26
CHEIFTAIN'S LINKWOOD 24 YEAR . . . . .	28
GLENFARCLAS 17 YEAR . . . . .	19
GLENFARCLAS 105 CASK STRENGTH . . . . .	15
GLENFIDDICH 14 YEAR . . . . .	13
GLENFIDDICH 18 YEAR . . . . .	18
GLENLIVET 15 YEAR . . . . .	11
MACALLAN 12 YEAR . . . . .	12
MACALLAN 17 YEAR FINE OAK . . . . .	45
MACALLAN RARE CASK . . . . .	20

## HIGHLAND

CHEIFTAIN'S GLENTURRET 25 YEAR . . . . .	35
GLENMORANGIE SIGNET . . . . .	31
OBAN, 14 YEAR . . . . .	14
TOMATIN, 15 YEAR . . . . .	10
TULLIBARDINE, SAUTERNES FINISH . . . . .	12

## ISLAY

ARDBEG DARK COVE . . . . .	18
ARDBEG 10 YEAR . . . . .	10
BRUICHLADDICH OCTOMORE . . . . .	30
BRUICHLADDICH SCOTTISH BARLEY . . . . .	12
CAOL ILA 12 YEAR . . . . .	12
CHEIFTAIN'S BOWMORE 13 YEAR . . . . .	20
LAGAVULIN 16 YEAR . . . . .	14
LAPHROIAG 10 YEAR . . . . .	10

## THE ISLANDS

THE ARRAN MALT AMARONE FINISH . . . . .	14
THE ARRAN MALT PORT FINISH . . . . .	14
THE ARRAN MALT SAUTERNES FINISH . . . . .	14
THE ARRAN MALT MACHRIE MOOR PEATED . . . . .	14
LEDAIG 10 YEAR . . . . .	13
TALISKER 10 YEAR . . . . .	10
TALISKER 18 YEAR . . . . .	28
TALISKER DISTILLERS EDITION 2015 . . . . .	17

## CAMPBELTOWN

HAZELBURN 10 YEAR . . . . .	13
LONGROW PEATED MALT . . . . .	12
SPRINGBANK 10 YEAR . . . . .	12

## U.S. SINGLE MALT

MCCARTHY'S OREGON SINGLE MALT . . . . .	8
---	---

## BOURBON

BAKER'S . . . . .	11
BASIL HAYDEN . . . . .	10
BIBB & TUCKER . . . . .	12
BLANTON'S . . . . .	11
BOOKER'S . . . . .	12
BRECKENRIDGE . . . . .	10
BUFFALO TRACE . . . . .	7
BULLEIT BOURBON . . . . .	7
BULLEIT 10 YEAR . . . . .	10
DAVID NICHOLSON RESERVE . . . . .	8
DRY FLY 101 PROOF WASHINGTON BOURBON . . . . .	11
E.H. TAYLOR FOUR GRAIN . . . . .	15
E.H. TAYLOR SINGLE BARREL . . . . .	12
E.H. TAYLOR SMALL BATCH . . . . .	10
EAGLE RARE . . . . .	7
ELIJAH CRAIG SMALL BATCH . . . . .	7
ELIJAH CRAIG BARREL PROOF . . . . .	16
ELIJAH CRAIG 18 YEAR . . . . .	20
ELMER T. LEE . . . . .	8
EVAN WILLIAMS SINGLE BARREL . . . . .	7
FOUR ROSES . . . . .	5
FOUR ROSES SINGLE BARREL . . . . .	9
FOUR ROSES SMALL BATCH . . . . .	7
HENRY MCKENNA BONDED SINGLE BARREL . . . . .	8
I.W. HARPER . . . . .	9
JEFFERSON'S . . . . .	8
JEFFERSON'S OCEAN VOYAGE 11 . . . . .	16
JEFFERSON'S RESERVE . . . . .	10
JOHN B. STETSON . . . . .	8
KNOB CREEK 100 PROOF . . . . .	9
MERCURY KNOB CREEK 120 PROOF 13 YEAR . . . . .	10
KOVAL OMAHA CRAFT BARTENDERS GUILD . . . . .	8
MEDLEY BROS . . . . .	5
MEDLEY'S PRIVATE STOCK, 10 YEAR . . . . .	13

## BOURBON (CON'T)

MICHTER'S . . . . .	10
OLD FORESTER . . . . .	6
OLD FORESTER 1870 SMALL BATCH . . . . .	10
OLD GRAND DAD 100 PROOF . . . . .	5
OLD GRAND DAD 114 PROOF . . . . .	9
OLD MEDLEY 12 YEAR . . . . .	12
STAGG JR . . . . .	12
W.L. WELLER 90 PROOF . . . . .	7
WATHEN'S SINGLE BARREL . . . . .	10
WILD TURKEY RARE BREED . . . . .	9
WILD TURKEY RUSSELL'S RESERVE 10 YEAR . . . . .	9
WILD TURKEY 101 PROOF BOURBON . . . . .	7
WOODFORD RESERVE . . . . .	10
YELLOWSTONE 93 PROOF . . . . .	12
YELLOWSTONE 7 YEAR 101 PROOF . . . . .	18

## OTHER WHISKIES

BERNHEIM WHEAT WHISKEY . . . . .	6
BRICKWAY WHITE WHISKEY . . . . .	6
CROWN ROYAL . . . . .	8
DRY FLY WHEAT WHISKEY . . . . .	9
GEORGE DICKEL #12 TENNESSEE WHISKY . . . . .	6
HIGH WEST WHITE RYE . . . . .	8
JACK DANIELS TENNESSEE WHISKY . . . . .	7
KOVAL OAT . . . . .	8
KAVALAN TAIWAN SINGLE MALT . . . . .	15
LOT 40 CANADIAN RYE . . . . .	11
LOW GAP WHEAT WHISKEY 2 YEAR . . . . .	11
STRANAHAN'S COLORADO WHISKEY . . . . .	11

## JAPANESE WHISKY

HIBIKI JAPANESE HARMONY . . . . .	12
THE HAKUSHU SINGLE MALT 12 YEAR . . . . .	25
IWAI . . . . .	9
NIKKA COFFEY GRAIN WHISKEY . . . . .	11
NIKKA TAKETSURU PURE MALT . . . . .	11
NIKKA YOICHI SINGLE MALT . . . . .	12
NIKKA MIYAGIKYO SINGLE MALT . . . . .	12

## IRISH WHISKEY

GREEN SPOT . . . . .	11
YELLOW SPOT 12 YEAR SINGLE MALT . . . . .	21
POWER'S SINGLE POT STILL . . . . .	10
TEELING SMALL BATCH . . . . .	9
TULLAMORE DEW . . . . .	6

## BLENDED SCOTCH

CUTTY SARK PROHIBITION CASK . . . . .	7
JOHNNY WALKER RED LABEL . . . . .	7
MONKEY SHOULDER . . . . .	8

## RYE

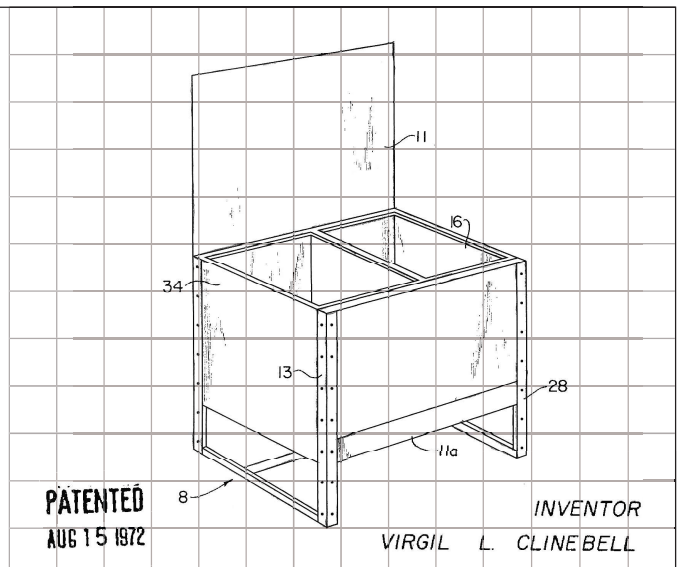
BULLEIT RYE . . . . .	7
CORSAIR RYEMAGEDDON . . . . .	11
E.H. TAYLOR SMALL BATCH RYE . . . . .	13
GEORGE DICKEL RYE . . . . .	6
HIGH WEST RENDEZVOUS RYE . . . . .	10
KNOB CREEK RYE . . . . .	8
KOVAL RYE . . . . .	8
MICHTER'S STRAIGHT RYE . . . . .	10
MINOR CASE STRAIGHT RYE . . . . .	11
OLD POTRERO 18TH CENTURY RYE . . . . .	11
PIKESVILLE 6 YEAR . . . . .	10
RITTENHOUSE 100 PROOF . . . . .	7
SAZERAC . . . . .	7
TEMPLETON . . . . .	8
WILD TURKEY RYE 101 PROOF . . . . .	6

### WHAT IS THE CLINEBELL?

Our Clinebell machine produces 300 pound blocks of ice we use for our cocktails served on the rocks.

By only freezing from the bottom, and using a pump to circulate the water as it freezes, all of the air and impurities are left out of the ice. This results in a 10"x 20" x 40" block you can read through.

This ice is peerless, and this is the only Clinebell between Denver + Minneapolis.



## EAU DE VIE

### ARMAGNAC

CHÂTEAU DU TARIQUET 8 YEAR . . . . . 12

### COGNAC

CHATEAU MONTIFAUD VSOP . . . . . 13

COURVOISER VS . . . . . 8

PIERRE FERRAND AMBRE . . . . . 12

PIERRE FERRAND RESERVE . . . . . 15

### AMERICAN BRANDY

GERMAIN ROBIN XO . . . . . 18

GERMAIN ROBIN CRAFT METHOD . . . . . 11

### OTHER BRANDIES

ASBACH URALT 3 YEAR GERMAN BRANDY . . . . . 7

### FRUIT EAU DE VIE

CHRISTIAN DROUIN COEUR DE LION CALVADOS 10

DARON CALVADOS . . . . . 9

GERMAIN ROBIN APPLE BRANDY . . . . . 11

LAIRD'S APPLEJACK . . . . . 6

LAIRD'S APPLE BRANDY 7 1/2 YEAR . . . . . 8

BLUME MARILLEN APRICOT EAU DE VIE . . . . . 8

CLEAR CREEK KIRSCHWASSER . . . . . 10

CLEAR CREEK PEAR EAU DE VIE . . . . . 10

CLEAR CREEK SLIVOVITZ . . . . . 10

JELINEK SLIVOVITZ 10 YEAR . . . . . 7

PISCO CONTROL . . . . . 7

### GRAPPA

BERTAGNOLLI GRAPPINO BIANCO . . . . . 6

JACOBO POLI ARZENTE GRAPPA . . . . . 27

JACOBO POLI SARPA BARRIQUE GRAPPA . . . . . 13

MOLETTA GRAPPA ARNEIS . . . . . 8

MOLETTA GRAPPA BARBERA . . . . . 8

MOLETTA GRAPPA D'NEBBIOLO . . . . . 8

MOLETTA GRAPPA MOSCATO . . . . . 8

### ABSINTHE

CORSAIR RED ABSINTHE . . . . . 12

GERMAIN ROBIN . . . . . 18

LEATHERBEE . . . . . 13

ST. GEORGE . . . . . 20

VIEUX PONTARLIER . . . . . 12

### SUGAR CANE

CLEMENT WHITE RHUM AGRICOLE . . . . . 6

CLEMENT BARREL SELECT AGRICOLE . . . . . 8

CLEMENT V.S.O.P. . . . . 9

CLEMENT X.O. . . . . 12

CLEMENT CUVÉE HOMÈRE . . . . . 14

MAE DE ORO CACHACA . . . . . 6

VAN OOSTEN BATAVIA ARRACK . . . . . 6

# RUM

## DOMINICAN REPUBLIC

BRUGAL 1888 . . . . . 10

## GUATEMALA

ZACAPA CENTENARIO . . . . . 8

## GUYANA

EL DORADO 5 YEAR . . . . . 6

EL DORADO 8 YEAR . . . . . 7

EL DORADO 12 YEAR . . . . . 8

EL DORADO 15 YEAR . . . . . 11

EL DORADO 21 YEAR . . . . . 18

LEMONHART 151 PROOF . . . . . 6

## HAITI

RHUM BARBAN COURT 8 YEAR . . . . . 6

## JAMAICA

J. WRAY WHITE . . . . . 5

APPLETON ESTATE RESERVE . . . . . 6

MEYERS'S DARK . . . . . 6

SMITH + CROSS NAVY STRENGTH . . . . . 6

## NICARAGUA

FLOR DE CAÑA WHITE . . . . . 5

FLOR DE CAÑA 12 YEAR . . . . . 12

## PANAMA

DON PANCHO 8 YEAR . . . . . 8

## PUERTO RICO

DON Q CRISTAL . . . . . 5

RON DE BARRALITO 2 STAR . . . . . 6

RON DE BARRALITO 3 STAR . . . . . 8

## TRINIDAD + TOBAGO

ANGOSTURA 5 YEAR . . . . . 6

ANGOSTURA 7 YEAR . . . . . 7

ANGOSTURA 1919 8 YEAR . . . . . 9

ANGOSTURA 1824 12 YEAR . . . . . 12

CARONI 17 YEAR SINGLE BARREL . . . . . 18

THE SCARLET IBIS . . . . . 6

## VENEZUELA

DIPLOMATICO RISERVA . . . . . 7

DIPLOMATICO RISERVA EXCLUSIVA . . . . . 8

DIPLOMATICO SINGLE VINTAGE 2002 . . . . . 19

## VARIOUS

ENGLISH HARBOUR ANTIGUA 5 YEAR . . . . . 7

PUSSER'S . . . . . 6

PUSSER'S NELSON'S BLOOD 15 YEAR . . . . . 9

PLANTATION 3 STAR WHITE . . . . . 5

PLANTATION 5 YEAR . . . . . 7

PLANTATION STIGGIN'S FANCY PINEAPPLE . . . . . 8

PLANTATION O.F.T.D. DARK 138 PROOF . . . . . 7

PLANTATION 146 PROOF . . . . . 6

## AGAVE

### TEQUILA

CASA NOBLES ANEJO . . . . .	11
EL JIMADOR BLANCO . . . . .	6
HERRADURA REPOSADO . . . . .	9
LUNAZUL PRIMERO BLANCO . . . . .	7
MILAGRO BLANCO . . . . .	8
MILAGRO REPOSADO . . . . .	9
OLMECA ALTOS BLANCO . . . . .	7
PUEBLO VIEJO BLANCO . . . . .	5
PUEBLO VIEJO REPOSADO . . . . .	6

### MEZCAL

ALIPUS SAN ANDRES . . . . .	9
ALIPUS SAN JUAN . . . . .	9
ALIPUS SAN LUIS . . . . .	9
ALIPUS SANTA ANA . . . . .	9
BANHEZ . . . . .	6
DEL MAGUEY CHICHICAPA . . . . .	12
DEL MAGUEY MINERO . . . . .	12
DEL MAGUEY VIDA . . . . .	8
LOS NAHUALES REPOSADO . . . . .	11
MEZCALERO #17 . . . . .	16

## VODKA

KARLSSON'S GOLD . . . . .	7
TITO'S . . . . .	6
REYKA . . . . .	5
ŻUBRÓWKA . . . . .	6

## GIN

ANCHOR JUNIPERO . . . . .	7
AVIATION . . . . .	7
BEEFEATER . . . . .	6
BIG GIN LONDON DRY . . . . .	7
BIG GIN BARREL AGED . . . . .	8
BOLS GENEVER . . . . .	8
BOMBAY SAPPHIRE . . . . .	7
BOTH'S OLD TOM GIN . . . . .	9
BROKER'S LONDON DRY . . . . .	5
BULLDOG GIN . . . . .	7
DEATH'S DOOR . . . . .	8
HAYMAN'S LONDON DRY . . . . .	6
HAYMAN'S NAVY STRENGTH . . . . .	6
HAYMAN'S OLD TOM . . . . .	6
HEARTLAND DISTILLERS GIN . . . . .	7
HENDRICK'S . . . . .	8
KOVAL DRY . . . . .	6
LEATHERBEE ORIGINAL DRY GIN . . . . .	7
LEATHERBEE '17 LIMITED VERNAL GIN . . . . .	8
MARTIN MILLER . . . . .	10
MONKEY 47 . . . . .	15
NEW AMSTERDAM . . . . .	5
OPIHR . . . . .	8
PLYMOUTH NAVY STRENGTH . . . . .	7
RANSOM OLD TOM . . . . .	9
RUSSELL HENRY LONDON DRY . . . . .	8
STIRK'S BARREL AGED . . . . .	9
TANQUERAY . . . . .	7
THE BOTANIST . . . . .	8
VIKRE AQUAVIT . . . . .	8
VIKRE CEDAR . . . . .	8
VIKRE JUNIPER . . . . .	8
VIKRE SPRUCE . . . . .	8
VITTI ICELANDIC AQUAVITE . . . . .	15

## AMARO / BITTER

ANGOSTURA . . . . .	7
APEROL . . . . .	6
BITTER TRUTH E.X.R . . . . .	8
BRANCA MENTA . . . . .	6
BRAULIO . . . . .	8
BRECKENRIDGE BITTER . . . . .	8
CAMPARI . . . . .	6
CAPPELLETTI VINO APERTIVO . . . . .	7
CAPPELLETTI RABABARO . . . . .	5
CARDAMARO . . . . .	6
CONTRATTO APERITIF . . . . .	7
CONTRATTO BITTER . . . . .	7
CYNAR . . . . .	5
CYNAR 70 PROOF . . . . .	6
FERNET BRANCA . . . . .	6
FORO . . . . .	6
LAZZARONI AMARO . . . . .	5
LAZZARONI FERNET . . . . .	5
LEATHERBEE BESK . . . . .	6
LEATHERBEE FERNET . . . . .	7
LUCANO . . . . .	6
NASTRO D'ORO . . . . .	8
NONINO . . . . .	8
RAMAZOTTI . . . . .	6
SALER'S . . . . .	6
SIBONA . . . . .	6
VARNELLI DELL'ERBORISTA . . . . .	9
VARNELLI PUNSCH FANTASIA . . . . .	5
VARNELLI SIBILLA . . . . .	9
ZWACK . . . . .	6

## LIQUEUR

ANCHO REYES . . . . .	8
BAUCHANT ORANGE LIQUEUR . . . . .	7
BECHEROVKA . . . . .	6
BENEDICTINE . . . . .	7
BITTER TRUTH CREME DE VIOLETTE . . . . .	7
CHARTREUSE, GREEN . . . . .	8
CHARTREUSE, YELLOW . . . . .	8
CHARTREUSE, V.E.P. GREEN . . . . .	20
CHARTREUSE, V.E.P. YELLOW . . . . .	20
CLEAR CREEK CASSIS LIQUEUR . . . . .	7
COMBIER KUMMEL . . . . .	9
DOLIN GENEPEY . . . . .	6
FIRELIT COFFEE LIQUEUR . . . . .	7
GALLIANO . . . . .	7
GUILLAUMETTE GENEPI . . . . .	13
LAZZARONI MARASCHINO . . . . .	5
LAZZARONI SAMBUCA . . . . .	5
LAZZARONI TRIPLO . . . . .	5
LUXARDO MARASCHINO . . . . .	7
METAXA, 5 YEAR . . . . .	6
NUX ALPINA WALNUT LIQUEUR . . . . .	8
PIMM'S . . . . .	7
PISA NUT LIQUEUR . . . . .	6
PLYMOUTH SLOE GIN . . . . .	8
ROTHMAN & WINTER APRICOT LIQUEUR . . . . .	6
ROTHMAN & WINTER PEAR LIQUEUR . . . . .	6
ST. ELIZABETH ALLSPICE DRAM . . . . .	6
ST. GERMAINE . . . . .	7
STREGA . . . . .	7
SUZE . . . . .	5
ULLR PEPPERMINT & CINNAMON LIQUEUR . . . . .	7
VARNELLI ANICE SECCO . . . . .	8
VINCINZI AMARETTO . . . . .	5