

## DRINKS + FOOD UNTIL 2 A.M.

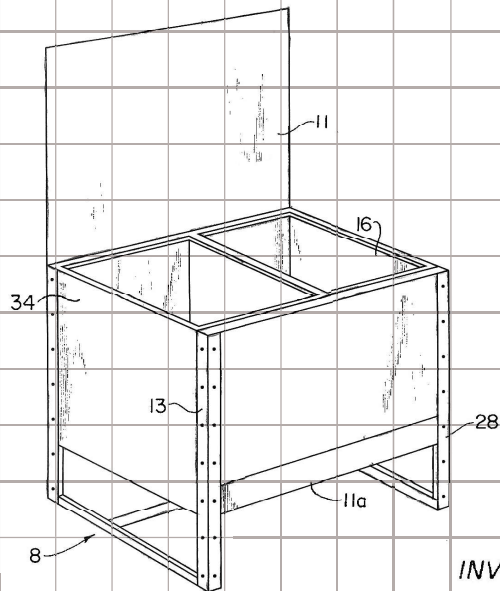
Mercury is a mid-century cocktail lounge with a rotating menu of artisanal cocktails, an extensive selection of wine, and nudge + wink versions of mid-century cocktail party food. We sometimes play 80's yacht rock.

Happy hour: 4pm - 6pm every day; all day Mondays

TRACK PROGRESS: @MERCURYOMAHA | #MERCURYOMAHA

## CLINEBELL ICE MACHINE

The Clinebell ice machine uses single direction freezing to produce flawless 300 lb blocks of ice. We then take that block, hit it with a chainsaw and hand carve every large ice cube that comes in any drink of our drinks on the rocks. Mercury has the only Clinebell between Denver + Minneapolis.



PATENTED  
AUG 15 1972

INVENTOR  
VIRGIL L. CLINEBELL

## BEER (ALL TALLBOYS)

|   |    |
|---|----|
| ZYWEIC EUROPEAN LAGER .....                   | 5  |
| BUD LIGHT .....                               | 4  |
| STIEGL GRAPEFRUIT RADLER .....                | 5  |
| DELIRIUM TREMENS .....                        | 10 |
| BELL'S OBERON WHEAT ALE .....                 | 5  |
| PACIFICO MEXICAN PILSNER (24OZ BIG BOY) ..... | 6  |
| STRONGBOW CIDER .....                         | 5  |
| PSEUDOSUE IPA (T-REX ON THE CAN) .....        | 7  |
| SHINER BOCK .....                             | 5  |
| SURLY COFFEE BENDER BROWN ALE .....           | 6  |
| <hr/>   |    |
| MAJOR TOM .....                               | 6  |
| - zyweic tallboy + a chilled manhattan shot   |    |

## MISCELLANEOUS

|  |   |
|--|---|
| CAN OF SODA POP .....                                | 2 |
| - coke, diet, sprite, fresca, ginger ale, soda water |   |
| 24oz FRENCH PRESS .....                              | 5 |
| 20oz TEA POT .....                                   | 5 |
| - black, mint, gunpowder green, or chamomile         |   |

# MERCURY

## FOOD

|   |    |
|---|----|
| CHARCUTERIE + CHEESE .....                              | 13 |
| - with baguette, whiskey mustard, tapenade, cherry jam  |    |
| - cheese only option available                          |    |
| BEER CHEESE FONDUE .....                                | 8  |
| - served hot with baguette                              |    |
| SUMMER SALAD .....                                      | 9  |
| - greens, roasted walnuts, tarragon vinaigrette         |    |
| - add chicken \$4                                       |    |
| BUTTER POACHED SHRIMP COCKTAIL .....                    | 14 |
| - romesco sauce, lime, piment d'esplette; pan seared    |    |
| MUSHROOMS THERMIDOR .....                               | 8  |
| - stuffed with tallegio cheese; brandy cream sauce      |    |
| BAKED EMPANADAS .....                                   | 9  |
| - spinach artichoke dip OR bacon cheeseburger           |    |
| SWEDISH MEATBALLS .....                                 | 12 |
| - pork + duck meatballs, mushroom gravy, cherry jam     |    |
| HOUSEMADE LINGUINE .....                                | 12 |
| - w/ shrimp scampi + gruner veltliner OR vegan pesto    |    |
| CRABS CASINO .....                                      | 16 |
| - silver dollar crab cakes, parmesan aioli + prosciutto |    |
| STEAK + POTATOES .....                                  | 18 |
| - piedmontese beef, roasted potatoes; chimichurri       |    |

|                                    |   |
|------------------------------------|---|
| TIRAMISU .....                     | 7 |
| - lady fingers, rum, coffee, cynar |   |

WARNING!

EATING RAW OR UNDERCOOKED EGGS OR MEAT WILL KILL YOU  
GRATUITY WILL BE ADDED TO PARTIES OF SIX OR MORE

# COCKTAILS

## THE SEASONALS

- SHARK ATTACK!** ..... 11  
- two rums, coconut cream, pineapple, lime, cherry  
- *tropical + tasty, slightly safer than a real shark*
- RUBY SOHO** ..... 11  
- mezcal, chile pepper liqueur, lime, cactus candy  
- *smoky sweet heat to whisk you a destination unkown*
- BLUE MONDAY** ..... 9  
- cucumber infused tequila, violet liqueur, lime  
- *so refreshing, it'll definitely be your new order*
- WEST END GIRL** ..... 9  
- hibiscus absinthe, green tea, lemon, vermouth  
- *bright, fun, easy on the eyes*
- SAN JUNIPERO.** ..... 8  
- navy gin, pineapple, ginger, swedish punsch  
- *sweet and spicy summer affair; ooh heaven is a place on earth*
- BANNED FROM THE BACK PORCH** ..... 10  
- whiskey, white vermouth, palm sugar, bitters  
- *a manhattan built for the warm weather*
- COMPANY DIME** ..... 10  
- rye, orange apéritif, pineapple rum, bitters  
- *don draper on a hawaiian holiday*

### ENTERING UNKNOWN TERRITORY

Feeling adventurous? Just ask your server to suggest a drink that isn't on the menu. We will do the rest.

# COCKTAILS

## THE STANDARDS

- MERCURY OLD FASHIONED.** ..... 10  
- our private label Elijah Craig nine year bourbon, raw sugar, bitters
- ROSE + BLANCHE** ..... 10  
- rosé vermouth, pomegranate, grapefruit, bubbles  
- *a little sweet and a lot of sassy*
- THE NEW ROMANCE** ..... 10  
- vodka, passionfruit, lemon, genepy  
- *tropical fruit, savory herbs, burning loins*
- ZOMBIE MOUNTAIN** ..... 9  
- campari, grapefruit, lime, demerara  
- *this is your god now*
- GRANDDADDY LOW.** ..... 8  
- bourbon, lemon, amaretto, amaro  
- *not too sweet, not too sour? 10-4 good buddy*
- SADIE HAWKIN'S** ..... 10  
- gin, apple, lime, pomegranate, bubbles  
- *like a french 75 dressed up for the prom*
- DEPRESCA** ..... 5  
- bourbon, bitters, fresca grapefruit soda
- CHILLED MANHATTAN SHOT** ..... 3  
- mini manhattan from out proprietary shotmeister  
- *add zyweic tallboy for \$3*

BARTENDER: COLIN BREEN

### RECOMMENDATIONS:

Ruby Soho  
.....  
something from our "one + done" list  
.....  
Hemingway Daiquiri (*off menu - launch an inquiry*)

# WINE

## SPARKLING

- CHENIN BLANC** ..... 9  
- montfort, méthode traditionnelle, fr, nv
- TORRONTÈS (SWEET).** ..... 8  
- meschini, frizzante, mendoza, ar 2014

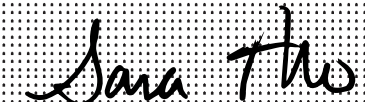
## WHITE

- ROSÉ** ..... 8  
- zweigelt, bründlmayer, kamptal, at 2016
- GRUNER VELTLINER** ..... 8  
- loimer, "lois," kamptal, at 2015
- SAUVIGNON BLANC** ..... 8  
- peter yealands, marlborough, nz 2015
- CHARDONNAY** ..... 9  
- bread + butter, napa, ca 2015

## RED

- SANGIOVESE** ..... 9  
- le xi terre, bardolino, veneto, it 2014
- TEMPRANILLO** ..... 8  
- sierra cantabria, seleccion, rioja, es 2014
- PINOT NOIR** ..... 10  
- thevenet + fils, les clos, burgundy fr 2014
- CÔTES-DU-RHÔNE.** ..... 12  
- j.l. chave, mon coeur, rhône valley, fr 2015
- CABERNET SAUVIGNON** ..... 11  
- fitch mountain, sonoma, ca 2014

SOMMELIER: SARA MELLOR



Look at our complete wine list for recommendations